

For Product Step File or 3D Model Send a Request Mail To info@nrack.com



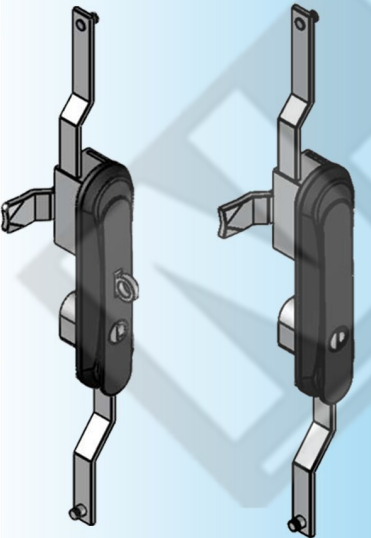
MS 4085Z-1-1

Photo View



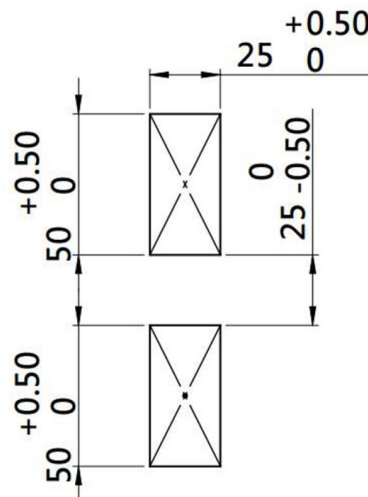
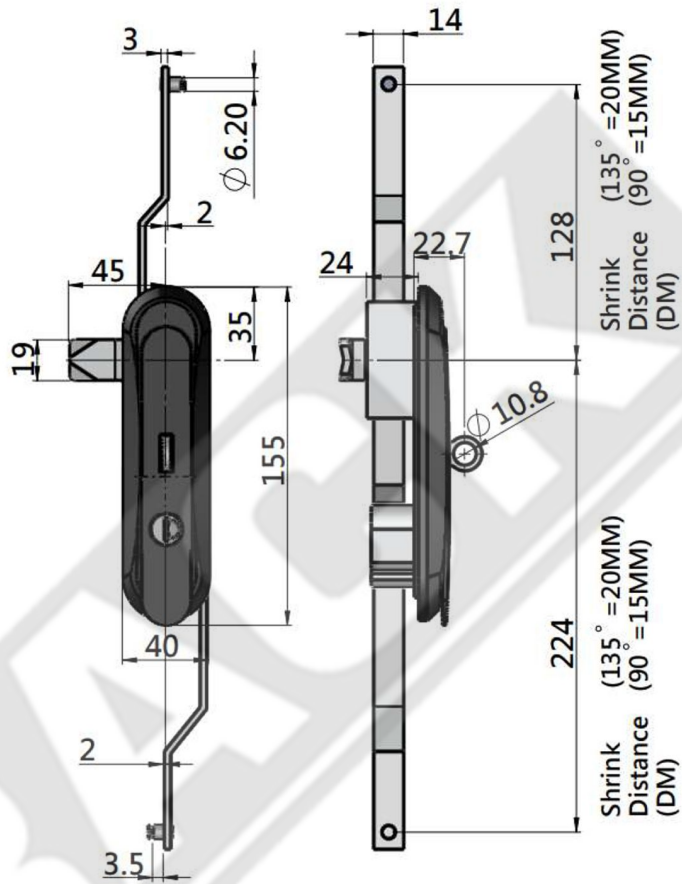
MS 4085Z-1G-1

3D Rendered View



MS 4085Z

- Material: Zinc alloy steel cam fixing parts
- Finish: Black powder coated
- Function: 135° rotation of the back drive the gear box to lock and unlock.
- Panel thickness: 1~2mm
- Remark: Cam cut out □8x8



PANEL CUT OUT